

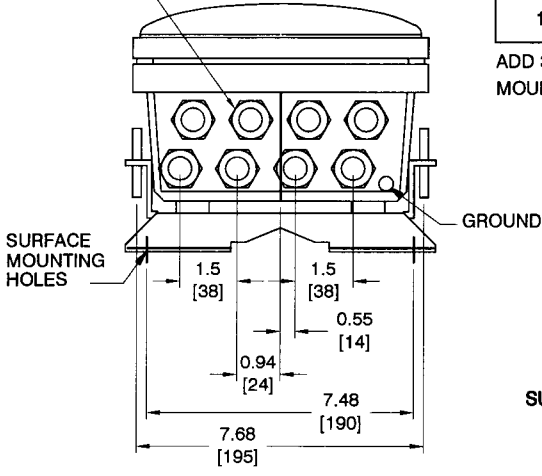
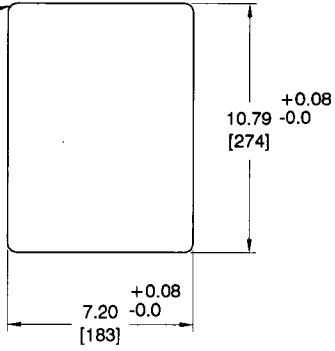
8 X ELECTRICAL CONNECTIONS
ANSI 1/2 NPT FEMALE

WEIGHT
14.3 lbs (6.5 kg)

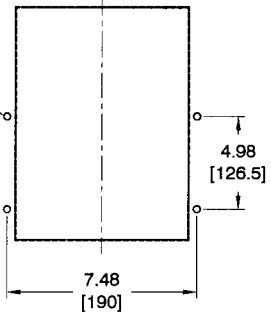
ADD 3 lb (1.8 kg) FOR MOUNTING BRACKET

PANEL CUTOUT

4-R0.3(8) to R0.4(10)
or 4-C0.2(5) to C0.3(8)



SURFACE MOUNTING HOLES



4X $\phi 0.26$ [Ø6] THRU OR M5 THREAD

