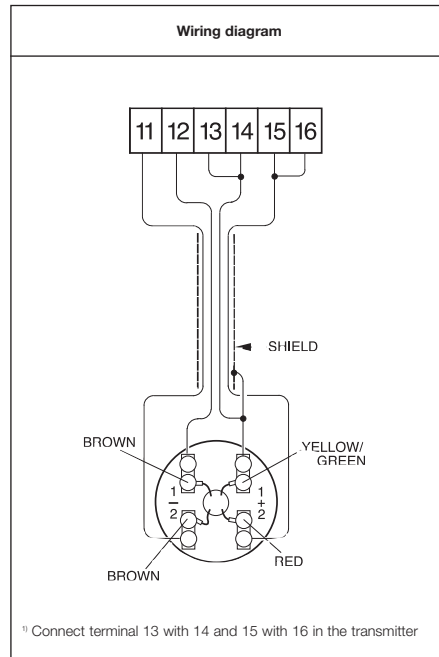
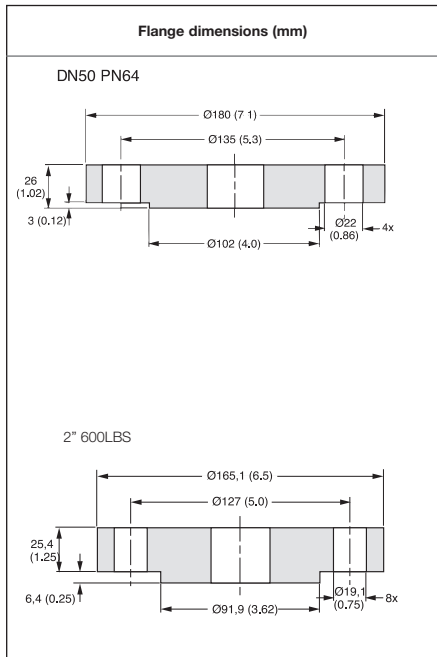


Type	Process connection		Cell constant
	Threaded	Flanged	
SX42-SX24-BS	ISO 7/1-R1		0.1/CM
SX42-SX24-NS	1-11h NPT		
SX42-SX24-DF		DN50 PN64	
SX42-SX24-AF		2" 600 LBS	
SX42-SX34-BS	ISO 7/1-R1		0.01/CM
SX42-SX34-NS	1-11h NPT		
SX42-SX34-DF		DN50 PN64	
SX42-SX34-AF		2" 600 LBS	

All types are 2-electrode conductivity cells with integrated Pt-1000 temperature sensor.



<sup>1)</sup> Connect terminal 13 with 14 and 15 with 16 in the transmitter

**YOKOGAWA ELECTRIC CORPORATION**  
**World Headquarters**  
 9-32, Nakacho 2-chome, Musashino-shi  
 Tokyo 180-8750  
 Japan  
[www.yokogawa.com](http://www.yokogawa.com)

**YOKOGAWA ELECTRIC ASIA Pte. LTD.**  
 5 Bedok South Road  
 Singapore 469270  
 Singapore  
[www.yokogawa.com/sg](http://www.yokogawa.com/sg)

**YOKOGAWA CORPORATION OF AMERICA**  
 2 Dart Road  
 Newnan GA 30265  
 USA  
[www.yokogawa.com/us](http://www.yokogawa.com/us)

**YOKOGAWA CHINA CO. LTD.**  
 3F Tower D  
 Cartelo Crocodile Building  
 No.568 West Tianshan Road  
 Changing District  
 Shanghai, China  
[www.yokogawa.com/cn](http://www.yokogawa.com/cn)

**YOKOGAWA EUROPE B.V.**  
 Euroweg 2  
 3825 HD Amersfoort  
 The Netherlands  
[www.yokogawa.com/eu](http://www.yokogawa.com/eu)

**YOKOGAWA MIDDLE EAST B.S.C.(c)**  
 P.O. Box 10070, Manama  
 Building 577, Road 2516,  
 Busaiten 225  
 Muharraq, Bahrain  
[www.yokogawa.com/bh](http://www.yokogawa.com/bh)

Yokogawa has an extensive sales and distribution network. Please refer to the European website ([www.yokogawa.com/eu](http://www.yokogawa.com/eu)) to contact your nearest representative.



**YOKOGAWA** ◆

IM 12D7J1-11E-E  
 Copyright © Subject to change without notice  
 Printed in The Netherlands, 05-1002 (A) I

## Dimensions and wiring diagram

### HIGH TEMPERATURE CONDUCTIVITY CELLS

MODEL:  
 SX42-SX24  
 SX42-SX34