

General Specifications

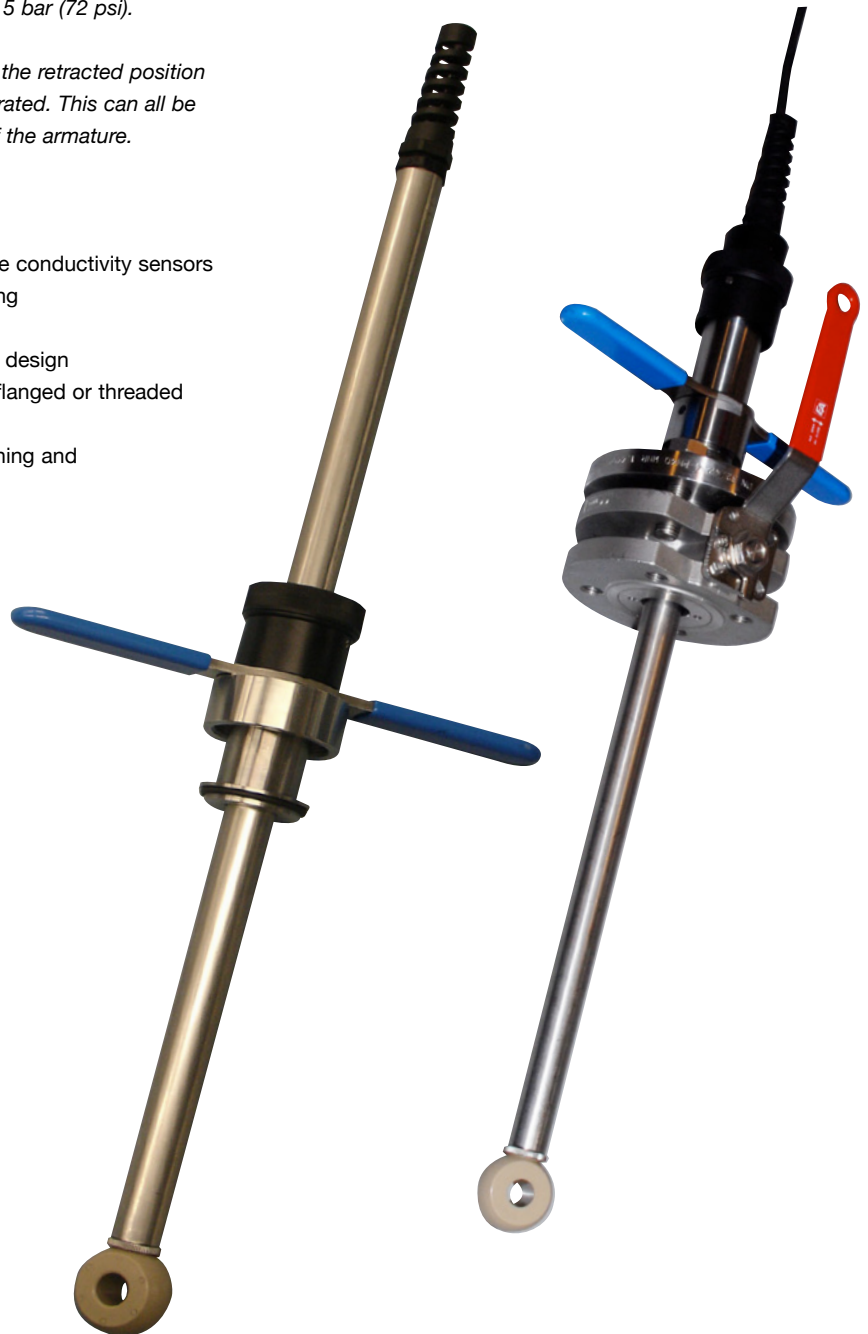
Model PR10
Inductive Conductivity
Retractable fitting

On-line measurements often present extra challenges, especially when routine maintenance is required. The PR10 is ideally suitable for applications where the sensors must be removed without interrupting or shutting down the process. Without any special tools the PR10 can be retracted safely from the process at pressures up to 5 bar (72 psi).

For ease of use optional flush ports are available. In the retracted position the sensor can be kept moist, cleaned or even calibrated. This can all be done without process interruption or disassembly of the armature.

Features

- One model used for pH, conductivity and inductive conductivity sensors
- Build in scraper to avoid contamination of the fitting
- Usable for wide range of sensors
- A safe “through the valve” insertion and retraction design
- Simplified installation by optional ball valves with flanged or threaded connections
- Optional flush port for keeping sensor moist, cleaning and calibration



General Specifications

A. Wetted materials

- Stainless steel AISI 316L
- O-ring seals: Viton 70° shore
- For sensor check instruction Manual

B. Non-wetted materials

- For sensor check Instruction Manual
- Stainless steel AISI 316, 304
- Polypropylene glass filled

C. Insertion length

- Ref. mechanical drawings Fig. 3 - 6 and Table 3

D. Pressure/temperature ratings

- Static conditions: max pressure 10 bar (142 psi); max temperature 150°C (302°F), see Fig. 1
- Operating conditions during extraction and insertion max. 500 kPa, max. 100°C

Table 1 Sensor Model and Suffix Codes

Model	Suffix	Option	Description
ISC40G-GR			General purpose, glass filled PEEK, retractable model
ISC40S-GR			Intrinsically safe, glass filled PEEK, retractable model
Temp. sensor	-T1		Pt1000
	-T3		30kNTC
Cable length	-03		03 Meters
	-05		05 Meters
	-10		10 Meters
	-15		15 Meters
	-20		20 Meters

Note: option Q is now delivered standard

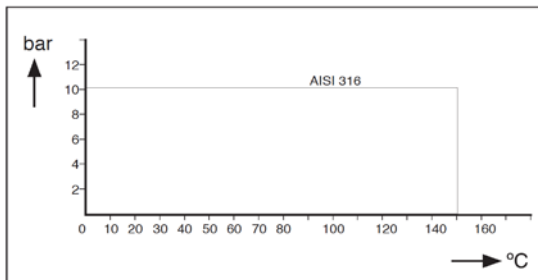


Fig. 1 Pressure / Temperature graphic

E. Flange ratings:

- DIN flange DN50 PN10
- ANSI flange 2" 150 lbs

F. Specifications of the sensor used

- Please check sensor specifications

G. Weight

- Approx 2.5 kg (5.5 lbs) excl. ball valve

H. ISC40G(S)-GR Sensor

Wetted Parts

Sensor : Victrex PEEK

Sealing gasket : Viton

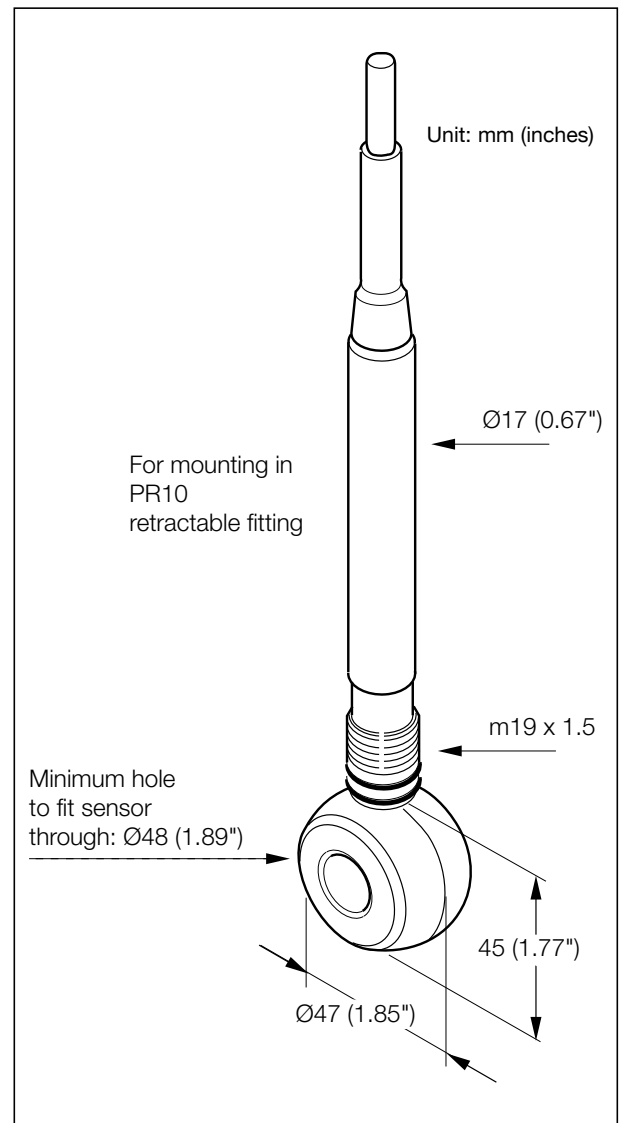


Fig. 2 ISC40-GR

Table 2 Model and suffix codes

Model	Suffix	Option	Description
PR10			Retractable Conductivity Fitting 19 mm
Fitting	-S		SS Type AISI 316
O-ring	-V		Viton O-ring sealing
Tube length	-L5		0.5 meter tube length
Connection	-D50		DN50 / 2" mounting
Sensor adapter for	-ISC4		ISC40
Screw-in adapters (SS AISI 316)		/SA200	ISO 228/1 G2 to 2" M-NPT
Flange adapters (SS AISI 316)		/FA200	Flange adapter drain 2" 150 lbs
		/FN200	Flange adapter no drain 2" 150 lbs
		/FAD50	Flange adapter drain DN50 PN10
		/FND50	Flange adapter no drain DN50 PN10
Weld-in adapter (SS AISI 316)		/WA200	Straight weld-in adapter ISO 228/1 G2
Ball valves (SSI AISI 316)		/BF200	Flanged ball valve 2" 150 lbs
		/BFD50	Flanged ball valve DN50 PN10
		/BS200	Screw-in ball valve 2" F-NPT
Certificate		/M	3.1 according EN 10024 for wetted metal parts

***Note:** With a ball valve, either a screw-in or flanged adapter is required

Note: Please order the K1525AF O-ring pick-up tool for maintenance purposes

Dimensions

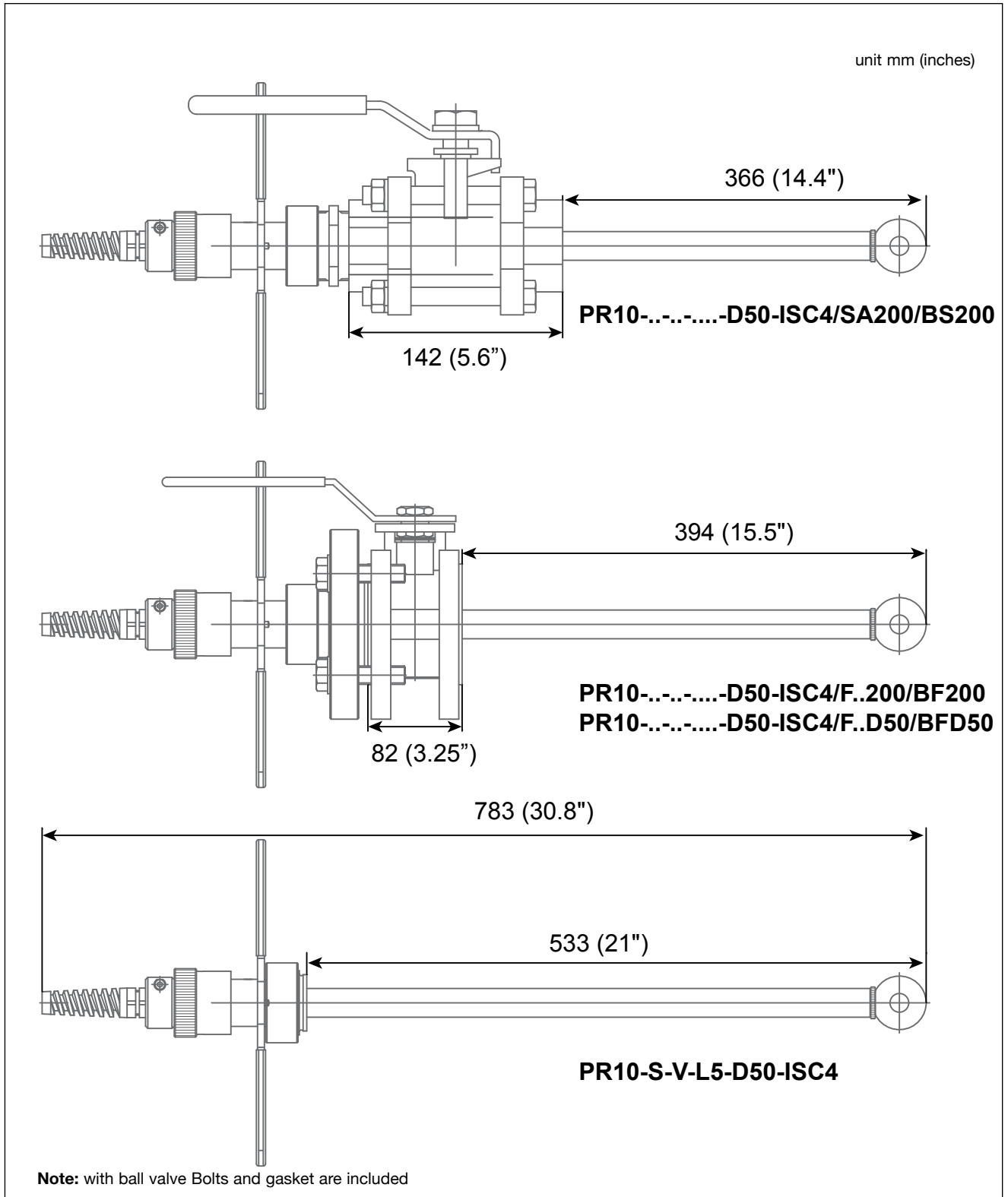


Fig. 3 Dimensional drawing PR10...-D32 with mounted ISC40 sensor

Options PR10

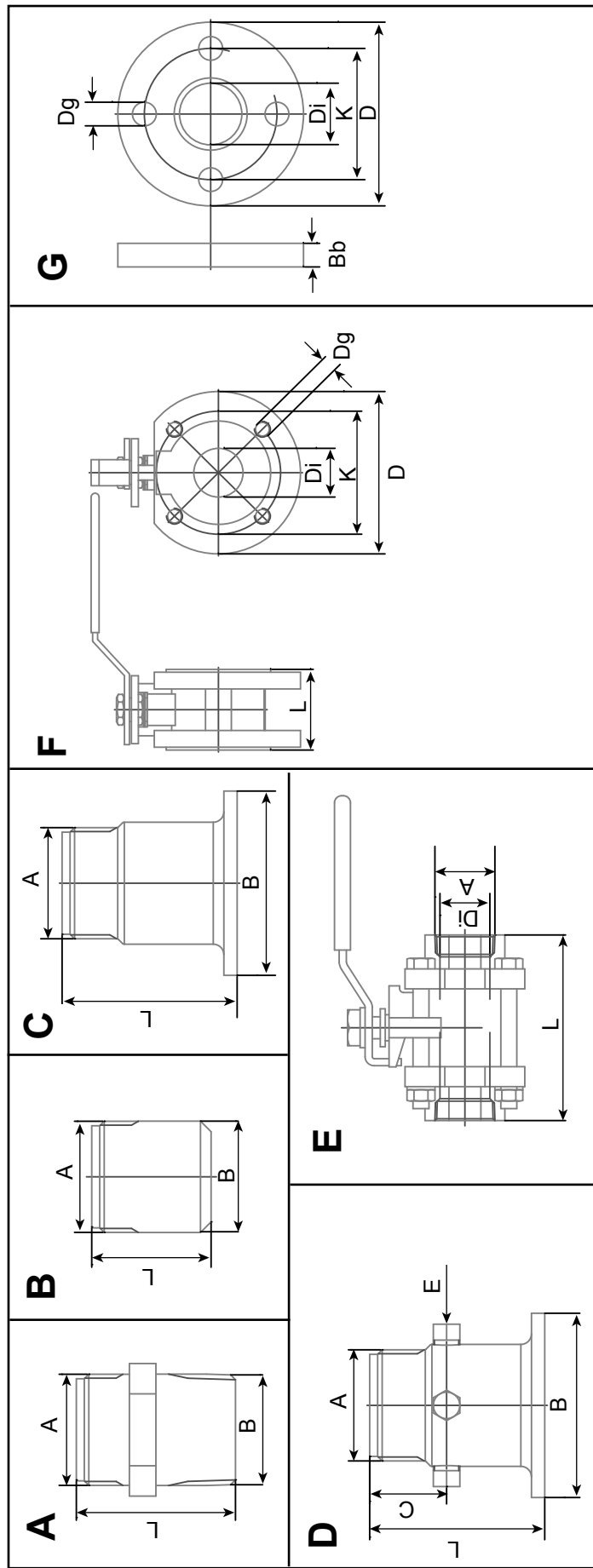


FIG. 4 Dimensions of the PR10 options

Table 3 Dimensions options in mm (inches)

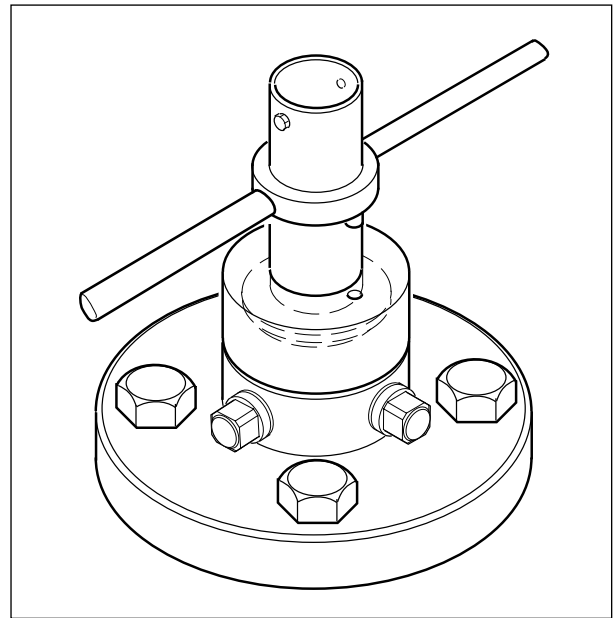
Option	Description	Fig.	A	B	L	C	Bb	D	E	Di	Dg	K
/SA200	ISO 228/1 G2 to 2" M-NPT	A	ISO 228/1 - G2	2" NPT	58 (2.3)							
/FA200	Flange adapter drain 2" 150 Lbs	D, G	ISO 228/1 - G2	101 (4)	77 (3)	32 (1.3)	25 (1)	165 (6.5)	1/8" NPT	73 (2.9)	19 (0.7)	120-125 (4.7)-(4.9)
/FN200	Flange adapter no drain 2" 150 Lbs	C, G	ISO 228/1 - G2	101 (4)	54 (2.1)	32 (1.3)	25 (1)	165 (6.5)		73 (2.9)	19 (0.7)	120-125 (4.7)-(4.9)
/FAD50	Flange adapter drain DN50 PN10	D, G	ISO 228/1 - G2	101 (4)	77 (3)	32 (1.3)	25 (1)	165 (6.5)	1/8" NPT	73 (2.9)	19 (0.7)	120-125 (4.7)-(4.9)
/FND50	Flange adapter no drain DN50 PN10	C, G	ISO 228/1 - G2	101 (4)	54 (2.1)	32 (1.3)	25 (1)	165 (6.5)		73 (2.9)	19 (0.7)	120-125 (4.7)-(4.9)
/WA200	Straight weld-in adapter ISO 228/1 G2	B	ISO 228/1 - G2	49 (1.9)	45 (1.8)			150 (5.9)		50 (2)	M16	121 (4.8)
/BF200	Ball-valve flanged 2" 150 Lbs	F	2" NPT		82 (3.2)			165 (6.5)		50 (2)	M16	125 (4.9)
/BFD50	Ball-valve flanged DN50 PN10	F			82 (3.2)					50 (2)		
/BS200	Ball-valve screw-in 2" F-NPT	E			142 (5.6)							

Table 4 Spare parts

K1525AP	Adapter SC4A - ISC40
K1525AA	Outer tube
K1525AF	O-ring pick up tool
K1525BB	O-ring set PR10-S-V-L5-D50
K1525BC	Key set
K1525BD	Squeezing set
K1525BE	Set M16 bolt & washer (8 pcs)
K1525BF	Set M14 bolt & washer (8 pcs)
K1525BG	Gaskets ball valves - D50 + 2"
K1525YD	PR10/FA200 - FAD50
K1525YE	PR10/FN200 - FND50
K1525YJ	PR10/WA200
K1525YL	PR10/BF200
K1525YN	PR10/BFD50
M1263MD	PR10/BS200
K1541EM	Adapter 2" NPT-G2 SS (ISC40PR/B)

Drain port connection

The PR10 retractable fitting can be equipped with optional drain (or flush) ports on the flanged adapter. The drain ports are tapered 1/8" NPT female for small diameter connectors.

**Fig. 5 Drain Port Connection**

Yokogawa Corporation of America

North America

2 Dart Road, Newnan, GA 30265-1094, USA
Phone: 800-258-2552 Fax: 770-254-0928

12530 West Airport Blvd., Sugar Land, TX 77478
Phone: 281-340-3800 Fax: 281-340-3838

Mexico

Melchor Ocampo 193, Torre C, Oficina 3"B"
Veronica Anzures D.F., C.P. 11300
Phone: (55) 5260-0019, (55) 5260-0042

Yokogawa Canada, Inc.

Bay 4, 11133 40th Street SE, Calgary, AB Canada T2C2Z4
Phone: 403-258-2681 Fax: 403-258-0182

Yokogawa has an extensive sales and distribution network. Please refer to the website (www.yokogawa.com/us) to contact your nearest representative.



YOKOGAWA ◆

GS 12D8J2-02E-A
Subject to change without notice
Copyright © 2010

Printed in The USA, 01-705 (A) I