

Fig. 2. Mounting the grommet

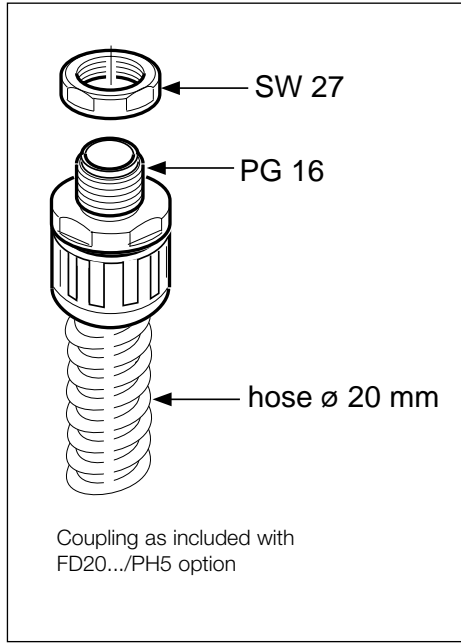
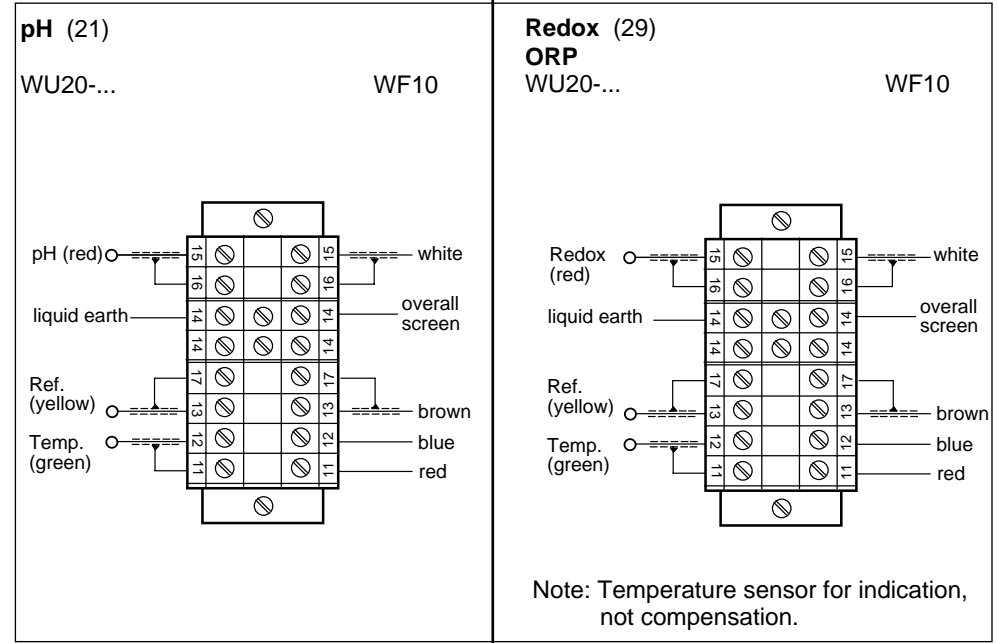


Fig. 3. Coupling for hose connection

CONNECTION DIAGRAMS



Note: Temperature sensor for indication, not compensation.

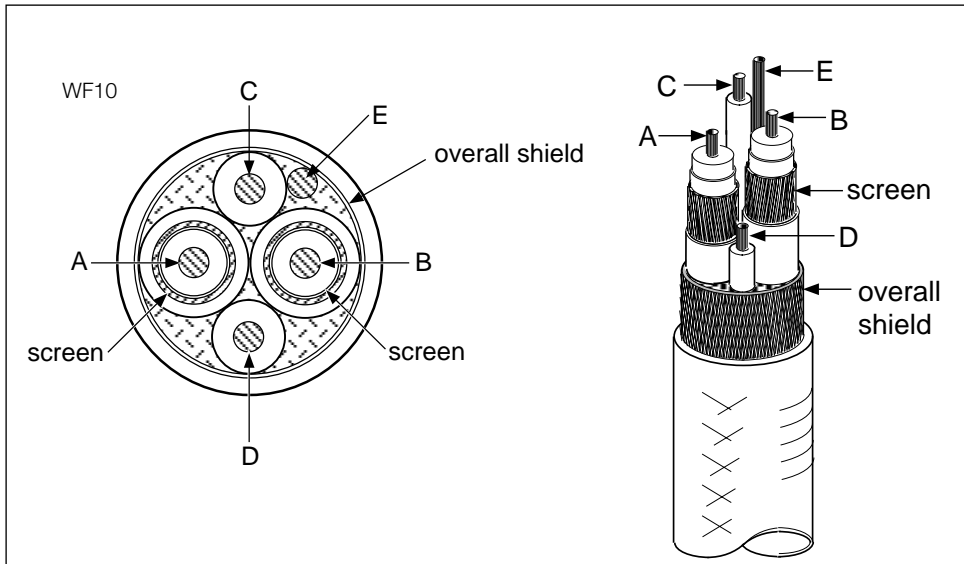
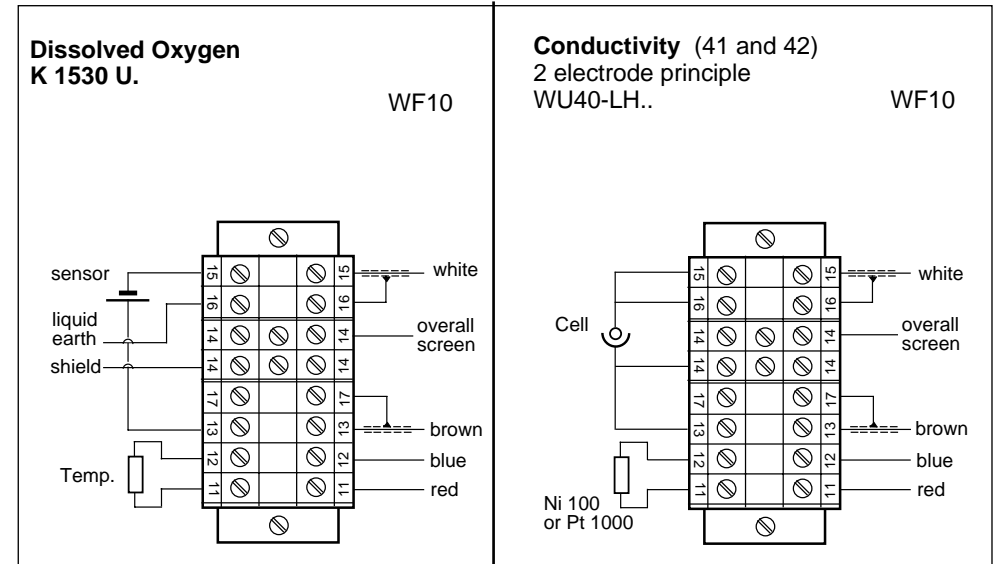
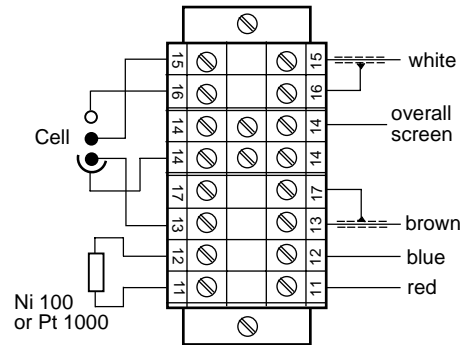


Fig. 4. Connection diagram WF10



Conductivity (49)
4 electrode principle
WU40-LH..

WF10



EUROPEAN HEADQUARTERS

Yokogawa Europe B.V.
Databankweg 20
3821 AL AMERSFOORT
The Netherlands
Tel. +31-33-4641 611
Fax +31-33-4641 610
E-mail: info@yokogawa.nl
www.yokogawa-europe.com



THE NETHERLANDS

Yokogawa Nederland B.V.
Hoofdveste 11
3992 DH HOUTEN
Tel. +31-30-635 77 77
Fax +31-30-635 77 70

AUSTRIA

Yokogawa Ges.m.b.H.
Central East Europe
Franzosengraben 1
A-1030 WIEN
Tel. +43-1-206 340
Fax +43-1-206 34 800

BELGIUM

Yokogawa Belgium N.V./S.A.
Minervastraat 16
1930 ZAVENTEM
Tel. +32-2-719 55 11
Fax +32-2-725 34 99

NORTHERN EUROPE

Yokogawa Nordic A.B.
Finlandsgatan 52, 2fl
SE-164 74 Kista
STOCKHOLM
Tel. +46-8-477-1900
Fax +46-8-477-1999

FRANCE

Yokogawa France S.A.
Vélizy Valley
18-20 Rue Grange Dame Rose
78140 VELIZY VILLACOUBLAY
Tel. +33-1-39 26 10 00
Fax +33-1-39 26 10 30

GERMANY

Yokogawa Deutschland GmbH
Berliner Strasse 101-103
D-40880 RATINGEN
Tel. +49-2102-4983 0
Fax +49-2102-4983 22

HUNGARY

Yokogawa Hungaria Ltd.
Alkotas Center 39 C
1123 BUDAPEST
Tel. +36-1-355 3938
Fax +36-1-355 3897

ITALY

Yokogawa Italia S.r.l.
Vicolo D. Pantaleoni, 4
20161 MILANO
Tel. +39-02-66 24 11
Fax +39-02-645 57 02

SPAIN/PORTUGAL

Yokogawa Iberia S.A.
C/Francisco Remiro, N°2, Edif. H
28028 MADRID
Tel. +34-91-724 20 80
Fax +34-91-355 31 40

UNITED KINGDOM

Yokogawa United Kingdom Ltd.
Stuart Road, Manor Park,
RUNCORN
Cheshire WA7 1TR
Tel. +44-1-928 597100
Fax +44-1-928 597101

AUSTRALIA

Yokogawa Australia Pty Ltd.
Private mail bag 24
Centre Court D3
25-27 Paul Street North
NORTH RYDE, N.S.W. 2113
Tel. +61-2-805 0699
Fax +61-2-888 1844

SINGAPORE

Yokogawa Engineering
Asia Pte. Ltd.
11, Tampines Street 92
SINGAPORE, 528872
Tel. +65-783 9537
Fax +65-786 2606

JAPAN

Yokogawa Electric Corporation
2-9-32, Nakacho, Musashino-shi
TOKYO, 180
Tel. +81-422 52 5617
Fax +81-422 52 0622

SOUTH AFRICA

Yokogawa South Africa (Pty) Ltd.
67 Port Road, Robertsham
Southdale 2135,
JOHANNESBURG
Tel. +27-11-680-5420
Fax +27-11-680-2922

UNITED STATES OF AMERICA

Yokogawa Corporation of America
2 Dart Road
NEWMAN, GA 30265-1040
Tel. +1-770-253 70 00
Fax +1-770-251 28 00



CENTRAL/EAST REGION

Via Yokogawa Ges.m.b.H.:
Czechia, Slovakia, Poland,
Croatia, Slovenia,
Jugoslavia, Bulgaria,
Romania, Macedonia,
Bosnia & Herzegovina

Distributors in:

Denmark, Finland,
Greece, Norway, Portugal,
Russian Federation,
Sweden, Switzerland and
Turkey.

YOKOGAWA ◆

Block 02A, 06-01

Instruction Manual

Model BA10 Connection Box

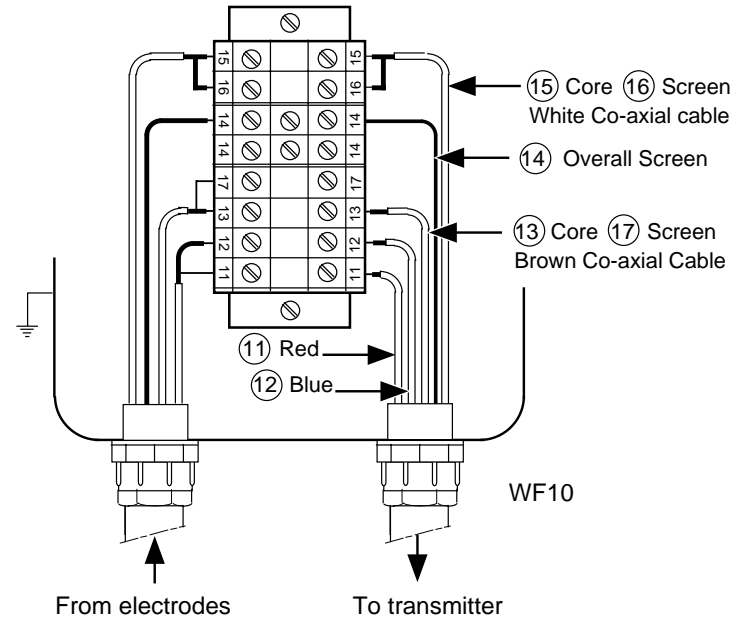


Fig. 1. Connection box BA10

1. Cable(s) between sensor(s) - connection box

When the sensor cables are numbered they can be connected to the corresponding numbers of the terminal block. The reverse of this page shows the connection diagrams for all parameters.

2. Cable between connection box - transmitter

The cable type WF10 is recommended as a connection between box and transmitter. The cores and screens of the cable must be connected to the corresponding numbers of the terminal block to which the sensor cable(s) is connected. Fig. 4 shows the connections of the WF10 cable.

3. Accessories (enclosed in a packet in the connection box)

The packet contains the following items:

- 2 glands PG16 which can be screwed in the holes of the box.
- 1 grommet which can be mounted in a gland to provide a waterproof sealing when 3 electrode cables and earth connection are used (see fig. 1),
- 1 coupling for hose connection (alternative to fig. 2).

The fixing dimensions are on the back of the case.