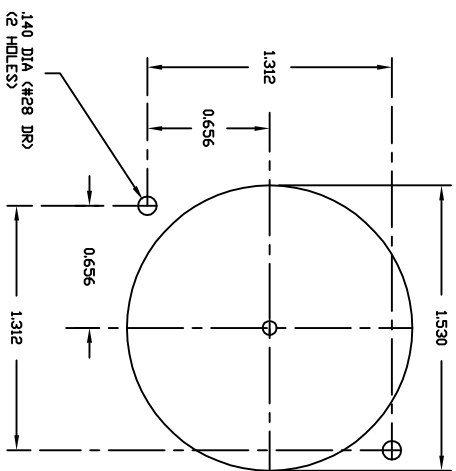
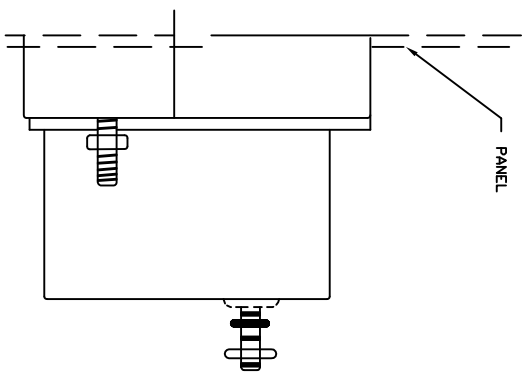


PANEL CUTOUT  
 FOR MOUNTING METER  
 BEHIND PANEL



PANEL DRILLING  
 FOR FRONT METER MOUNTING