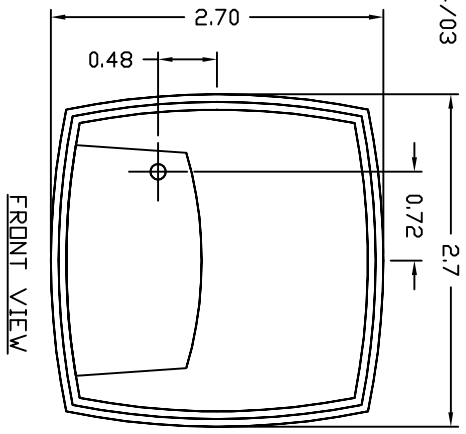
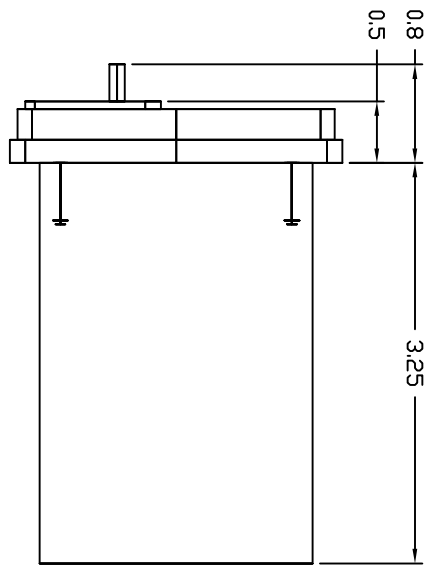


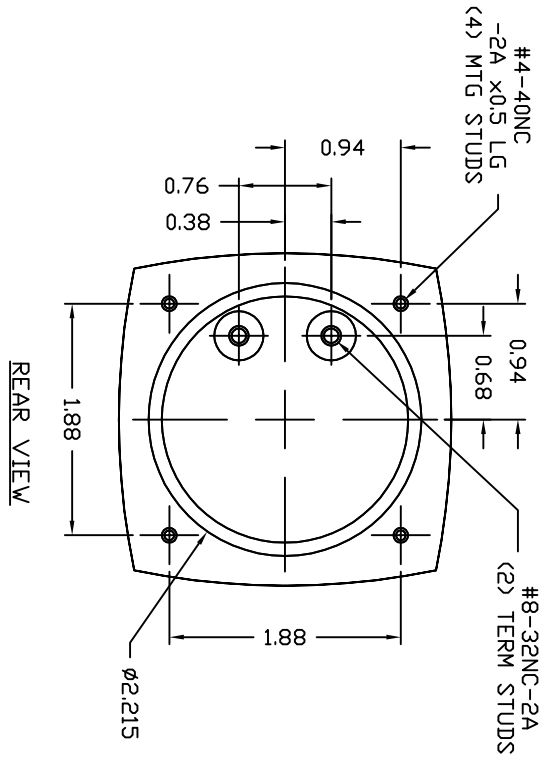
FIG. 20A. NEW BIG LOOK 2 1/2 TYPE 240 TIME METER
REV 4/24/03



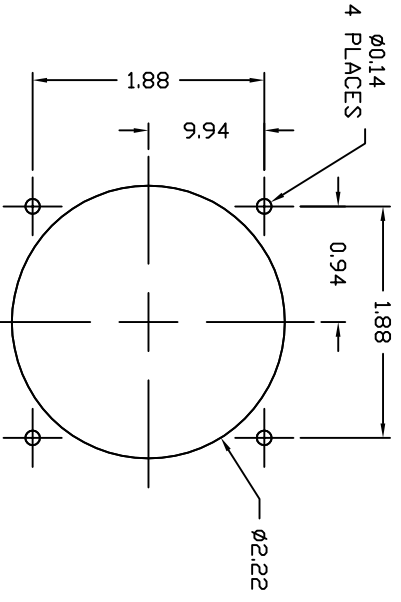
FRONT VIEW



SIDE VIEW




REAR VIEW



PANEL DRILLING PATTERN

INDEX	SHEET	1	2	3	4	5	6	7	8	9	10	11	12	13	14
DESIGN	REVISION	2	-	-	-	-	-	-	-	-	-	-	-	-	-
FINISH	DATE	04/24/03	-	-	-	-	-	-	-	-	-	-	-	-	-
FIRST USED	DATE	04/24/03	-	-	-	-	-	-	-	-	-	-	-	-	-
DRAWN BY:	DATE	04/24/03	-	-	-	-	-	-	-	-	-	-	-	-	-
CHECKED BY:	DATE	04/24/03	-	-	-	-	-	-	-	-	-	-	-	-	-

YOKOGAWA 

NEWARK, GEORGIA 30855

TITLE: 2 DART ROAD
TYPE 240 2.5' BL METER
METER DETAILS

DRAWING NO. 3151K36
SCALE: FULL SCALE

DRAWING SIZE: B

SHEET: 1 OF 1

REV.	ECN	REV. BY	DATE	ENGINEER	DATE	APPROVED	DATE
2	F22-TIMMR-010	HMC/TAGGART	04/24/03				