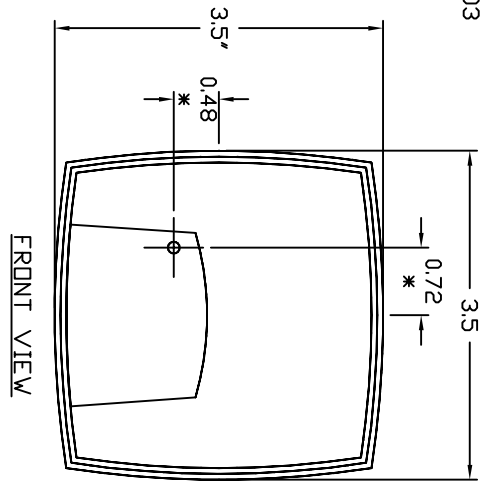
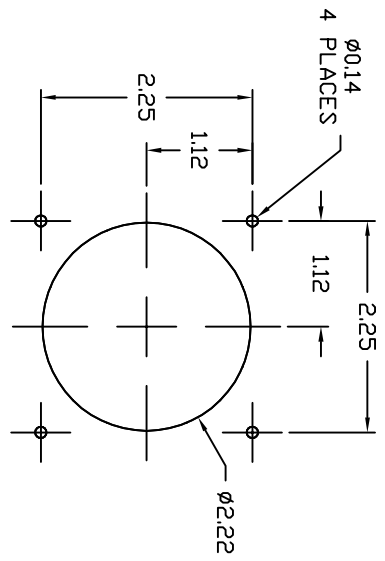
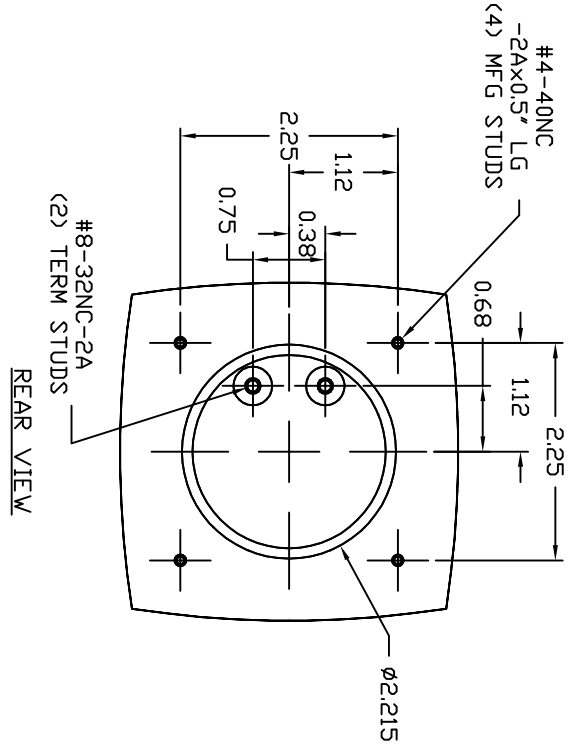


FIG. 20B. NEW BIG LOOK 3 1/2 TYPE 240 TIME METER
REV 6/16/03



*THESE DIMENSIONS FOR RESET HANDELS ONLY



PANEL DRILLING PATTERN

INDEX SHEET	1	2	3	4	5	6	7	8	9	10	11	12	13	14
REVISIONS	2	-	-	-	-	-	-	-	-	-	-	-	-	-
FINISH	NET													
MATERIAL	FIRST USED													
SURFACE	DRAWN BY: HMC/TAGGART													

YOKOGAWA ◆
2 BART ROAD
NEWMAN, GEORGIA 30865

TITLE: TYPE 240 3.5 BL METER METER DETAILS
DRAWING NO. 3151K38
SCALE: 0.75 = 1

DATE: 04-24-03
DRAWING SIZE: B

REV. 2
SHEET 1 OF 1

REV.	ECN	REV BY	DATE	ENGINEER	DATE	APPROVED	DATE
2	F22-TIMTR-010	J. GAY	06-16-03				