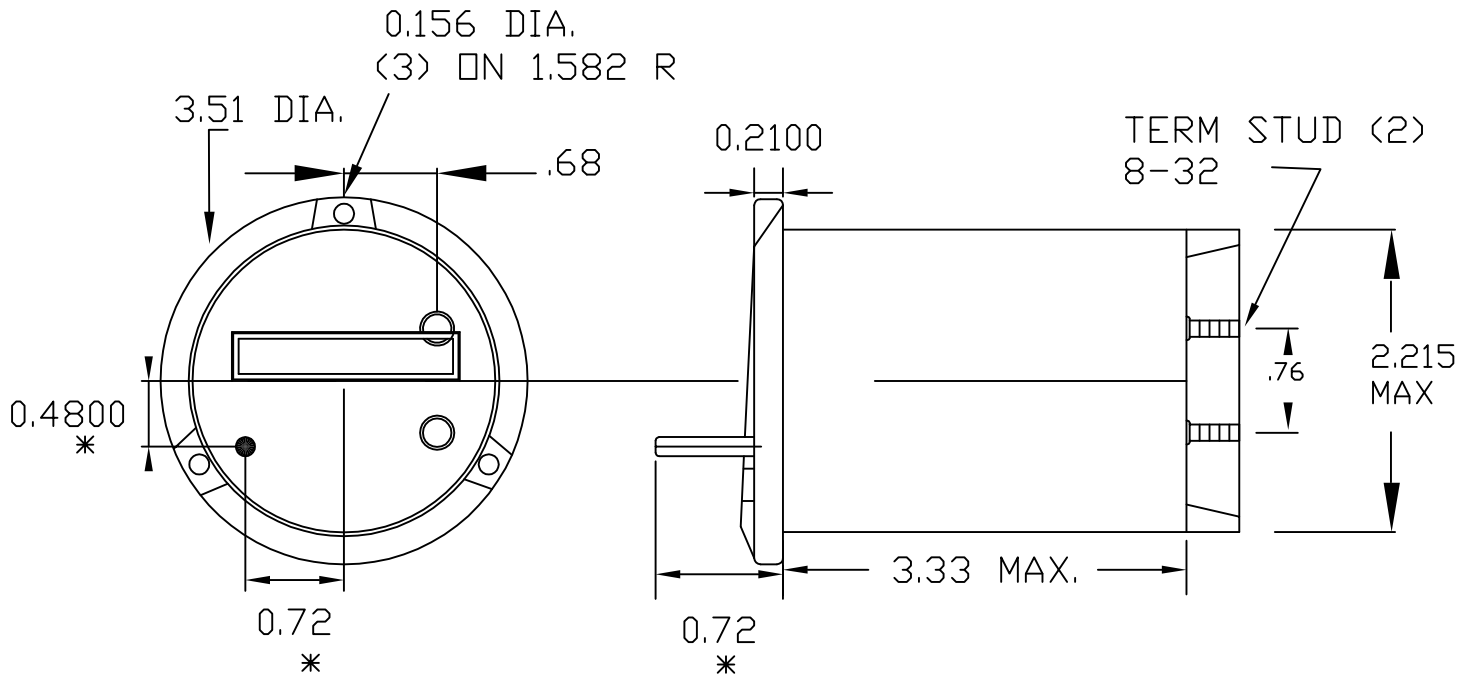


FIG. 23B. 3 1/2 TYPE 240 ROUND CASE  
 REV 6/18/03 (DWG 3151K60)



\* DENOTES RESET TYPE ONLY.

