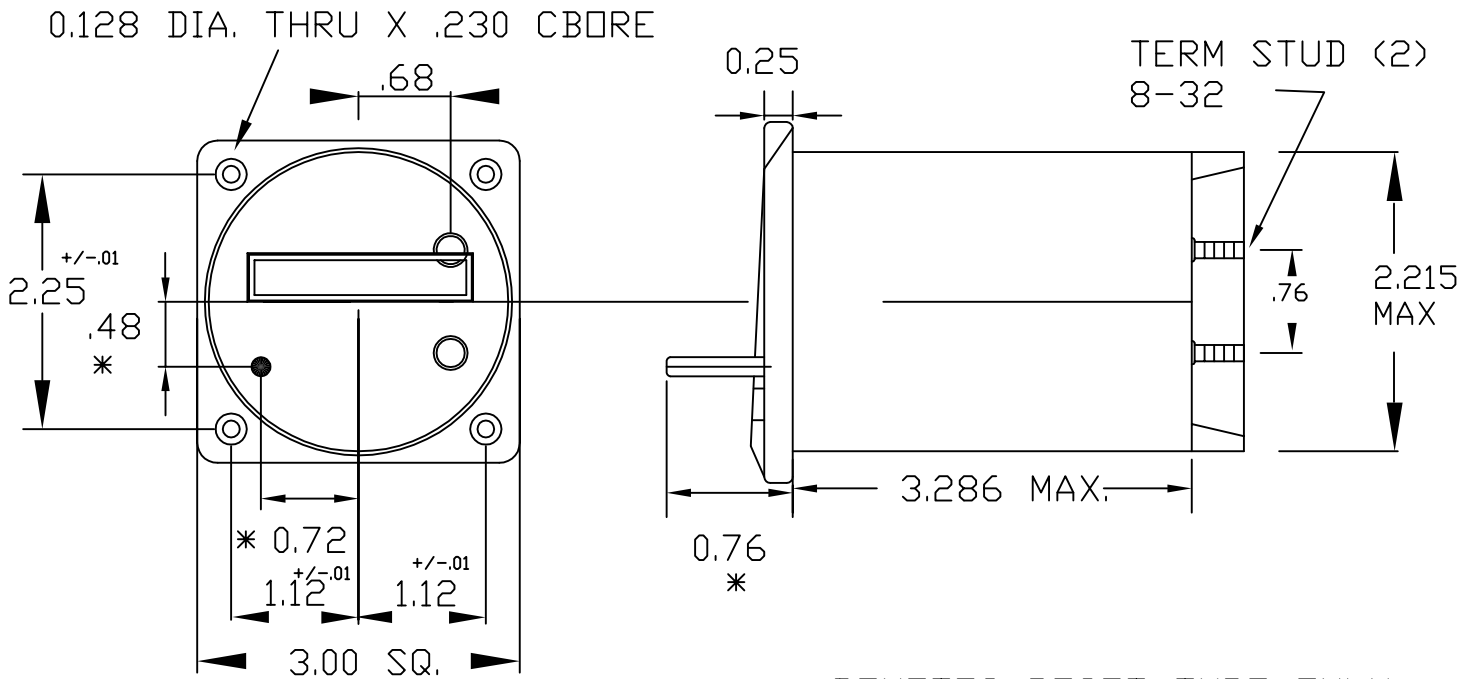
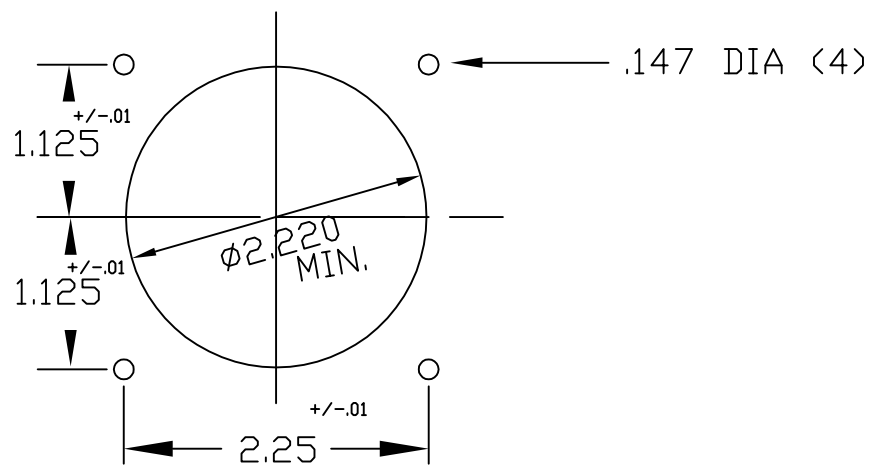


FIG. 22B. 3 1/2 TYPE 240 SQUARE CASE  
 REV 6/18/03 (DWG 3151K61)



\* DENOTES RESET TYPE ONLY.



PANEL DRILLING