



# EXA DT450G

*Dust monitor*



## EXA DT450G

### Features

- Drift compensation
- Direct measurement at a process temperature of up to 250 °C
- Integrated design allows for easy installation
- One-touch, automatic setup of range appropriate for the process conditions
- Maintenance-free operation for a long period

### Applications

- Electrostatic precipitators at boilers, incinerators, cement kilns
- Bag filters at pulverized coal, granulation, sugar, powder milk plants

Bulletin 11K01C01-01E

[www.yokogawa.com](http://www.yokogawa.com)

**vigilantplant.**<sup>™</sup>  
The clear path to operational excellence

**YOKOGAWA** 



## Specifications

Measurement objects: Solid particles in gas  
 Particle size: 0.3 μm or greater  
 Measurement range: 0.1 mg/m<sup>3</sup> to 1 kg/m<sup>3</sup>

Measurement principle: Triboelectric detection

Process conditions:

Temperature: 250 °C or less  
 Pressure: 200 kPa or less  
 Gas flow rate: 4 m/s or greater (approx. 30 m/s max)  
 Humidity: 40 %RH or less

Measurement range:

Range setup: One-touch automatic setup or manual setup

Setup range:

DT450G-1; Fixed (20%)  
 DT450G-3; Variable (10 to 50%, 10% step)

Analog output signal (DT450G-3 only):

4-20 mA DC, insulated, load resistance; 500 Ω

Contact output signal (high/low alarm):

Contact capacity: 5A, 24 V AC or 24 V DC

Ambient conditions:

Temperature: -20 to 45 °C  
 Humidity: 95 %RH or less (non-condensing)

Construction:

Converter: Integrated with detector  
 Sensor probe: Direct insertion, protection rating IP 64

Materials:

Sensor probe: Stains steel (JIS SUS 316 equivalent)  
 Insulation of sensor: PEEK

Power supply:

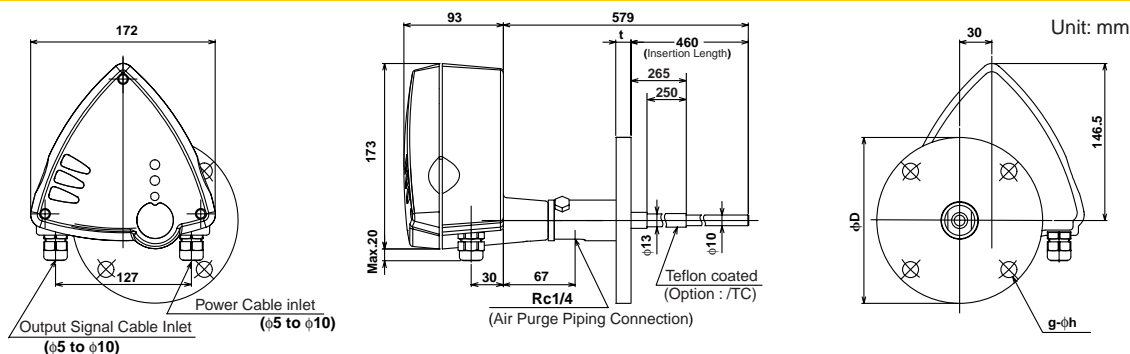
Rating: 100 to 120 VAC, 200 to 240 VAC

Air purge:

Air source : Clean, dry air equivalent to instrument air at process pressure +50 kPa  
 Air consumption: approx. 50 NI/min  
 Connection: Rc 1/4

Weight: Approx. 2.3 kg (excluding flange)

## Dimensions (Flange Mounted Model)



### Flange Dimensions

Unit:mm

Class	D	C	g	h	t
JIS 5K65FF	155	130	4	15	14
JIS10K80FF	185	150	8	19	18
JIS10K100FF	210	175	8	19	18
ANSI CLASS150 2 1/2 RF	177.8	139.7	4	19.1	22.4
JPI CLASS150 2 1/2 RF	178	139.7	4	19	22.5

### A Yokogawa Commitment to Industry

# vigilance®

quality

innovation

foresight

What does Yokogawa **vigilance** mean to the future of your business? **Quality**. Through products that are built from the ground up and tested to the last hour, you're ensured continuous operation and more uptime. **Innovation**. Your business will benefit from new insights and capabilities, bringing true predictability to your process. **Foresight**. As the market changes, you'll have solutions that give you the continuity and flexibility to plan ahead and grow. Our partners know the difference. With Yokogawa, you can count on a lifetime of plant efficiency, from instrumentation to operation support. Let us be vigilant about your business.

#### YOKOGAWA ELECTRIC CORPORATION

##### World Headquarters

World Sales Headquarters  
 9-32 Nakacho 2-chome, Musashino-shi,  
 Tokyo 180-8750, JAPAN  
 Tel: +81-422-52-6339 (Analytical Products Sales)

##### North America

Manufacturing/Sales/Service Offices  
**YOKOGAWA CORPORATION OF AMERICA**  
 Headquarters & Plant  
 Georgia, U.S.A

##### South America

**YOKOGAWA America Do Sul Ltda.**  
 BRAZIL

##### Europe

**YOKOGAWA EUROPE B.V.**  
 European Headquarters  
 THE NETHERLANDS  
**YOKOGAWA ELECTRIC CIS LTD.**  
 RUSSIAN FEDERATION

##### Middle East

**YOKOGAWA MIDDLE EAST E.C.**  
 BAHRAIN

##### Asia

**YOKOGAWA ENGINEERING ASIA PTE.LTD.**

SINGAPORE

**YOKOGAWA ELECTRIC KOREA CO., LTD.**

KOREA

**YOKOGAWA XIYI CO., LTD.**

**YOKOGAWA (SHANGHAI) INSTRUMENTATION CO., LTD.**

**SHANGHAI YOKOGAWA PETROCHEMICAL INSTRUMENTATION CO., LTD.**

**YOKOGAWA SICHUAN INSTRUMENT CO., LTD.**

**BEIJING METALLURGY YOKOGAWA AUTOMATION ENGINEERING CO., LTD.**

CHINA

**YOKOGAWA TAIWAN CORPORATION**

TAIWAN

**YOKOGAWA INDIA LTD.**

INDIA

##### Oceania

**YOKOGAWA AUSTRALIA PTY. LTD.**  
 AUSTRALIA

Subject to change without notice

All Rights Reserved. Copyright © 2005, by Yokogawa Electric Corporation

[Ed : 01/b] Printed in Japan, 508(KP)